

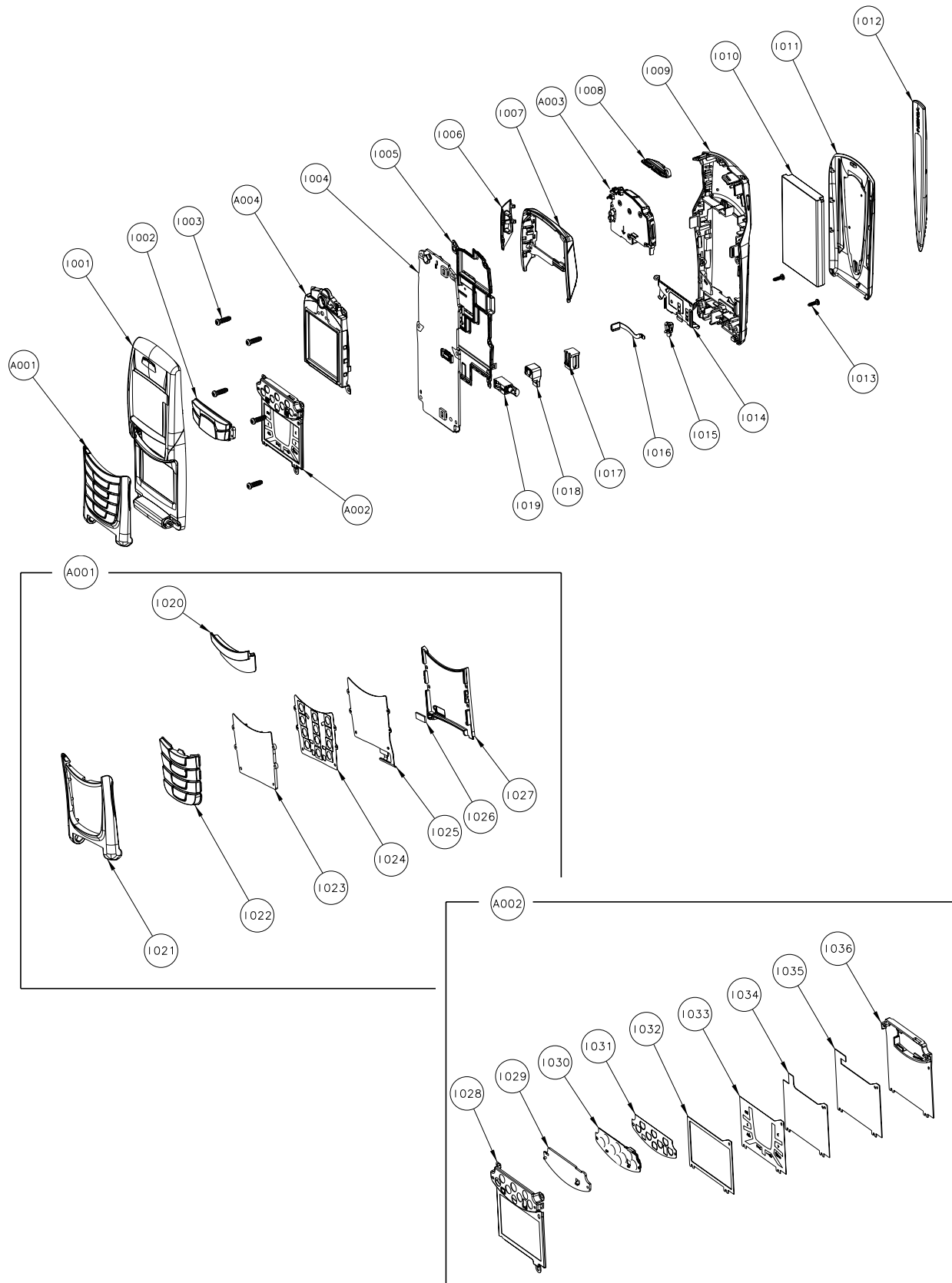
Customer Care Solutions RH-4 Series Cellular Phones

2 - Parts List & Layouts

Table of Contents

	Page No
Exploded view of Nokia RH-4, 'A' and 'B' Cover assemblies, Flip assembly and Touch pad module	3
Assembly Parts List for 'A' and 'B' Cover assemblies, Flip assembly and Touch pad module	4
Exploded view of Antenna assembly and UI module	5
Assembly Parts List for Antenna assembly and UI module	5
Parts List Module ----- for RH-4	6
Component layout diagram Top	19
Component layout diagram Bottom	20

Exploded view of RH-4, 'A' Cover assembly, 'B' Cover assembly, Flip assembly and Touch pad module

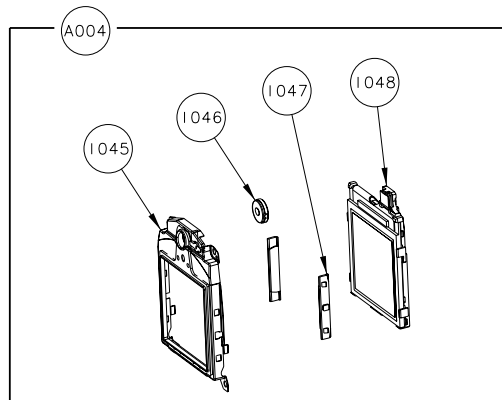
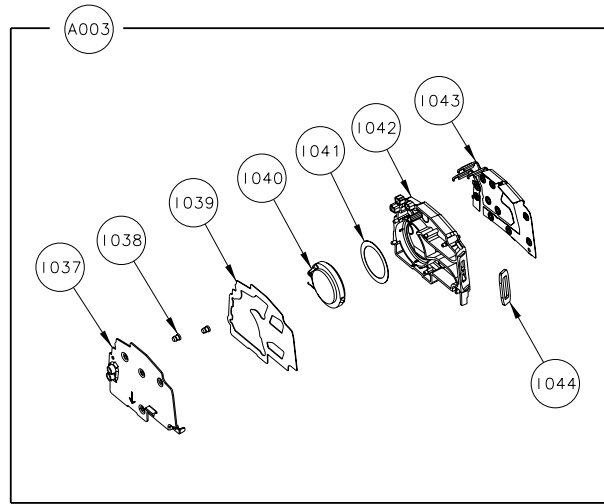


Assembly Parts List for 'A' Cover, 'B' Cover, Flip assy's and Touch pad module

Item	Description	NMP code
I001	A-cover assembly - Blue Eye's Blue	9459311
I002	Keymat function keys	9791003
I003	Screw 1,8x7.0 T6	6290107
I004	PWB	xxxxxxxx
I005	Shielding assembly	9511151
I006	Volume key	9452895
I007	IrDA-Frame	9460546
I008	Power key	9790897
I009	B-cover assembly	9459314
I010	Battery BL-5C	xxxxxxxx
I011	C-cover assembly	9452894
I012	STYLUS assembly	9470390
I013	Screws M1.6x5.3	6150119
I014	SIM-Flap DMD08487 HDG13	9560199
I015	C-cover release button	9452897
I016	C-cover rel. spr.	9560282
I017	Conn DC-jack 3.5mm 3pol spr 90deg	5400243
I018	Mic+boot assembly -42+-2dB Tomahawk	5140265
I019	Vib-motor assembly 1.3	6800057
A001	Flip assembly - Blue Eye's Blue	9491168
I020	Flip decoration plate	xxxxxxxx
I021	Flip front cover	xxxxxxxx
I022	Numerical keys	xxxxxxxx
I023	Keymat	xxxxxxxx
I024	Domesheet	xxxxxxxx
I025	Flip flex	xxxxxxxx
I026	Magnet	xxxxxxxx
I027	Flip back cover	xxxxxxxx
A002	Touch pad module	4870001
I028	Touch pad shield	xxxxxxxx
I029	Touch pad panel	xxxxxxxx
I030	Touch pad flex	xxxxxxxx
I031	Domesheet	xxxxxxxx
I032	Touch pad graphic foam	xxxxxxxx
I033	Touch pad graphic sheet	xxxxxxxx
I034	Touch pad EL sheet	xxxxxxxx
I035	Touch pad carbon	xxxxxxxx
I035	Type Label	xxxxxxxx
I036	Touch pad base	xxxxxxxx

Note: NMP Part code xxxxxxxx can not be ordered as spares

Exploded view of Antenna assembly and UI module



Assembly Parts List for Antenna assembly and UI module

Item	Description	NMP code
A003	Antenna assembly	TBD
I037	IHF lid	XXXXXXXXXX
I038	IHF pin	XXXXXXXXXX
I039	Enclosure adhesive DMD 08702 HDG13	XXXXXXXXXX
I040	Speaker HF 66+-2dB 8R D16x3.84	XXXXXXXXXX
I041	Speaker adhesive DMD 08701	XXXXXXXXXX
I042	IHF enclosure	XXXXXXXXXX
I043	Antenna radiator DMD 08497	XXXXXXXXXX
I044	B-cover gasket DMD 08791 HDG13	XXXXXXXXXX
A004	UI module	TBD
I045	UI shield assembly	XXXXXXXXXX
I046	Speaker 105+-3dB 32R D8x2mm pico	5140251
I047	Locking clips	XXXXXXXXXX
I048	LCD module DMC04604	XXXXXXXXXX

Note: NMP Part code xxxxxxxx can not be ordered as spares

Parts List Module ----- for RH-4

PWB Components

Note: Btm means the bottom side of the PWB.

Item	Product Code	Location			Description and value				Type
		Side, Grid ref.							
B200	4510219	Btm	M	5	CRYSTAL 32.768KHZ+-30PPM 9PF	32.768kHz	~	~	CRYSTAL_CX_4V
B601	4510337	Btm	H	2	CRYSTAL 26.0MHZ+-8PPM CL=15.5	26MHz	~	~	CRYSTAL_TSX_8A
C100	2320546	Btm	F	7	Chipcap 5% NPO	27p	50V	normal,-5%,5%	0402C
C101	2320139	Top	S	4	CHIPCAP X5R 1U0 K	1u0	10V	normal,-10%, 10%	0603C_H0.95
C102	2320481	Top	S	4	CHIPCAP X5R 1U K	1u0	6.3V	normal,-10%, 10%	0603C
C103	2321013	Btm	R	7	CHIPCAP NPO 270P J	270p	25V	normal,-5%,5%	0402C
C104	2320544	Btm	R	7	Chipcap 5% NPO	22p	50V	normal,-5%,5%	0402C
C105	2320544	Btm	R	6	Chipcap 5% NPO	22p	50V	normal,-5%,5%	0402C
C106	2320744	Btm	S	3	Chipcap X7R 10%	1n0	50V	normal,-10%, 10%	0402C
C107	2320778	Btm	T	7	Chipcap X7R 10%	10n	16V	normal,-10%, 10%	0402C
C108	2320778	Btm	T	6	Chipcap X7R 10%	10n	16V	normal,-10%, 10%	0402C
C109	2320778	Btm	T	7	Chipcap X7R 10%	10n	16V	normal,-10%, 10%	0402C
C110	2320544	Btm	R	3	Chipcap 5% NPO	22p	50V	normal,-5%,5%	0402C
C111	2320778	Btm	T	7	Chipcap X7R 10%	10n	16V	normal,-10%, 10%	0402C
C113	2320778	Top	U	4	Chipcap X7R 10%	10n	16V	normal,-10%, 10%	0402C
C150	2312243	Btm	O	7	CHIPCAP X5R 4U7 K	4u7	6V3	normal,-10%, 10%	0805C
C152	2312243	Btm	O	6	CHIPCAP X5R 4U7 K	4u7	6V3	normal,-10%, 10%	0805C
C153	2320783	Btm	N	6	CHIPCAP X7R 33N K	33n	10V	normal,-20%,20%	0402C
C155	2320805	Btm	N	5	CHIPCAP X5R 100N K	100n	10V	normal,-10%, 10%	0402C
C156	2320544	Btm	T	7	Chipcap 5% NPO	22p	50V	normal,-10%, 10%	0402C
C157	2320544	Btm	T	7	Chipcap 5% NPO	22p	50V	normal,-10%, 10%	0402C
C158	2320805	Btm	N	6	CHIPCAP X5R 100N K	100n	10V	normal,-10%, 10%	0402C
C159	2320783	Btm	N	6	CHIPCAP X7R 33N K	33n	10V	normal,-20%,20%	0402C
C160	2320544	Btm	N	6	Chipcap 5% NPO	22p	50V	normal,-5%,5%	0402C
C161	2320744	Btm	N	6	Chipcap X7R 10%	1n0	50V	normal,-10%, 10%	0402C
C162	2320805	Btm	N	6	CHIPCAP X5R 100N K	100n	10V	normal,-10%, 10%	0402C
C163	2320481	Btm	O	6	CHIPCAP X5R 1U K	1u0	6.3V	normal,-10%, 10%	0603C
C164	2320544	Btm	N	5	Chipcap 5% NPO	22p	50V	normal,-5%,5%	0402C
C165	2320544	Btm	N	5	Chipcap 5% NPO	22p	50V	normal,-5%,5%	0402C
C166	2320783	Btm	N	7	CHIPCAP X7R 33N K	33n	10V	normal,-20%,20%	0402C
C167	2320139	Btm	N	5	CHIPCAP X5R 1U0 K	1u0	10V	normal,-10%, 10%	0603C_H0.95

Item	Product Code	Location			Description and value				Type
		Side	Grid ref.						
C168	2320805	Btm	O	6	CHIPCAP X5R 100N K	100n	10V	normal,-10%, 10%	0402C
C169	2320544	Btm	N	6	Chipcap 5% NPO	22p	50V	normal,-5%,5%	0402C
C170	2320783	Btm	N	7	CHIPCAP X7R 33N K	33n	10V	normal,-20%,20%	0402C
C171	2320548	Btm	N	6	Chipcap 5% NPO	33p	50V	normal,-5%,5%	0402C
C172	2320548	Btm	N	7	Chipcap 5% NPO	33p	50V	normal,-5%,5%	0402C
C173	2320744	Btm	N	7	Chipcap X7R 10%	1n0	50V	normal,-10%, 10%	0402C
C174	2320744	Btm	N	7	Chipcap X7R 10%	1n0	50V	normal,-10%, 10%	0402C
C175	2316001	Btm	O	7	CHIPCAP X5R 2U2 K	2u2	6V3	normal,-10%, 10%	0603C
C176	2316001	Btm	O	7	CHIPCAP X5R 2U2 K	2u2	6V3	normal,-10%, 10%	0603C
C177	2320552	Btm	E	2	Chipcap 5% NPO	47p	50V	normal,-5%,5%	0402C
C178	2320552	Btm	E	2	Chipcap 5% NPO	47p	50V	normal,-5%,5%	0402C
C179	2320544	Btm	M	5	Chipcap 5% NPO	22p	50V	normal,-5%,5%	0402C
C180	2320544	Btm	M	5	Chipcap 5% NPO	22p	50V	normal,-5%,5%	0402C
C181	2320544	Btm	O	7	Chipcap 5% NPO	22p	50V	normal,-5%,5%	0402C
C182	2320544	Btm	O	7	Chipcap 5% NPO	22p	50V	normal,-5%,5%	0402C
C183	2316001	Btm	O	7	CHIPCAP X5R 2U2 K	2u2	6V3	normal,-10%, 10%	0603C
C184	2316001	Btm	O	7	CHIPCAP X5R 2U2 K	2u2	6V3	normal,-10%, 10%	0603C
C185	2320744	Btm	N	6	Chipcap X7R 10%	1n0	50V	normal,-10%, 10%	0402C
C200	2320805	Btm	L	6	CHIPCAP X5R 100N K	100n	10V	normal,-10%, 10%	0402C
C201	2320481	Btm	K	5	CHIPCAP X5R 1U K	1u0	6.3V	normal,-10%, 10%	0603C
C202	2320778	Btm	K	5	Chipcap X7R 10%	10n	16V	normal,-10%, 10%	0402C
C203	2320481	Btm	N	8	CHIPCAP X5R 1U K	1u0	6.3V	normal,-10%, 10%	0603C
C204	2320481	Btm	K	5	CHIPCAP X5R 1U K	1u0	6.3V	normal,-10%, 10%	0603C
C205	2320481	Btm	L	5	CHIPCAP X5R 1U K	1u0	6.3V	normal,-10%, 10%	0603C
C206	2320481	Btm	L	5	CHIPCAP X5R 1U K	1u0	6.3V	normal,-10%, 10%	0603C
C207	2320481	Btm	M	8	CHIPCAP X5R 1U K	1u0	6.3V	normal,-10%, 10%	0603C
C208	2320481	Btm	K	5	CHIPCAP X5R 1U K	1u0	6.3V	normal,-10%, 10%	0603C
C209	2320536	Btm	M	5	Chipcap 5% NPO	10p	50V	normal,-5%,5%	0402C
C210	2320536	Btm	N	5	Chipcap 5% NPO	10p	50V	normal,-5%,5%	0402C
C211	2320481	Btm	M	5	CHIPCAP X5R 1U K	1u0	6.3V	normal,-10%, 10%	0603C
C212	2320481	Btm	P	5	CHIPCAP X5R 1U K	1u0	6.3V	normal,-10%, 10%	0603C
C213	2320481	Btm	L	5	CHIPCAP X5R 1U K	1u0	6.3V	normal,-10%, 10%	0603C
C214	2320481	Btm	L	5	CHIPCAP X5R 1U K	1u0	6.3V	normal,-10%, 10%	0603C
C215	2320481	Btm	N	8	CHIPCAP X5R 1U K	1u0	6.3V	normal,-10%, 10%	0603C
C218	2320805	Btm	K	8	CHIPCAP X5R 100N K	100n	10V	normal,-10%, 10%	0402C
C219	2320481	Btm	K	5	CHIPCAP X5R 1U K	1u0	6.3V	normal,-10%, 10%	0603C
C220	2320778	Btm	N	5	Chipcap X7R 10%	10n	16V	normal,-10%, 10%	0402C

Item	Product Code	Location			Description and value				Type
		Side,	Grid	ref.					
C221	2320481	Btm	K	6	CHIPCAP X5R 1U K	1u0	6.3V	normal,-10%, 10%	0603C
C222	2320481	Btm	J	6	CHIPCAP X5R 1U K	1u0	6.3V	normal,-10%, 10%	0603C
C223	2320481	Btm	K	6	CHIPCAP X5R 1U K	1u0	6.3V	normal,-10%, 10%	0603C
C224	2320481	Btm	K	7	CHIPCAP X5R 1U K	1u0	6.3V	normal,-10%, 10%	0603C
C225	2320481	Btm	K	7	CHIPCAP X5R 1U K	1u0	6.3V	normal,-10%, 10%	0603C
C226	2320481	Btm	J	7	CHIPCAP X5R 1U K	1u0	6.3V	normal,-10%, 10%	0603C
C227	2320481	Btm	J	7	CHIPCAP X5R 1U K	1u0	6.3V	normal,-10%, 10%	0603C
C228	2320481	Btm	J	8	CHIPCAP X5R 1U K	1u0	6.3V	normal,-10%, 10%	0603C
C229	2320481	Btm	J	7	CHIPCAP X5R 1U K	1u0	6.3V	normal,-10%, 10%	0603C
C230	2320481	Btm	K	7	CHIPCAP X5R 1U K	1u0	6.3V	normal,-10%, 10%	0603C
C231	2320481	Btm	K	8	CHIPCAP X5R 1U K	1u0	6.3V	normal,-10%, 10%	0603C
C232	2320481	Btm	K	7	CHIPCAP X5R 1U K	1u0	6.3V	normal,-10%, 10%	0603C
C233	2320481	Btm	K	6	CHIPCAP X5R 1U K	1u0	6.3V	normal,-10%, 10%	0603C
C234	2320481	Btm	J	7	CHIPCAP X5R 1U K	1u0	6.3V	normal,-10%, 10%	0603C
C235	2320481	Btm	L	5	CHIPCAP X5R 1U K	1u0	6.3V	normal,-10%, 10%	0603C
C236	2320805	Btm	K	8	CHIPCAP X5R 100N K	100n	10V	normal,-10%, 10%	0402C
C237	2320805	Btm	K	8	CHIPCAP X5R 100N K	100n	10V	normal,-10%, 10%	0402C
C238	2320805	Btm	L	5	CHIPCAP X5R 100N K	100n	10V	normal,-10%, 10%	0402C
C239	2320805	Btm	L	8	CHIPCAP X5R 100N K	100n	10V	normal,-10%, 10%	0402C
C240	2320778	Btm	L	9	Chipcap X7R 10%	10n	16V	normal,-10%, 10%	0402C
C241	2320744	Btm	M	5	Chipcap X7R 10%	1n0	50V	normal,-10%, 10%	0402C
C242	2320744	Btm	L	8	Chipcap X7R 10%	1n0	50V	normal,-20%,20%	0402C
C243	2320481	Btm	L	5	CHIPCAP X5R 1U K	1u0	6.3V	normal,-10%, 10%	0603C
C260	2320481	Btm	J	7	CHIPCAP X5R 1U K	1u0	6.3V	normal,-10%, 10%	0603C
C261	2320481	Btm	K	5	CHIPCAP X5R 1U K 6V3 0603	1u0	6.3V	normal,-10%, 10%	0603C
C262	2320481	Btm	J	6	CHIPCAP X5R 1U K	1u0	6.3V	normal,-10%, 10%	0603C
C263	2320481	Btm	J	7	CHIPCAP X5R 1U K	1u0	6.3V	normal,-10%, 10%	0603C
C264	2320481	Btm	J	7	CHIPCAP X5R 1U K	1u0	6.3V	normal,-10%, 10%	0603C
C265	2320481	Btm	J	7	CHIPCAP X5R 1U K	1u0	6.3V	normal,-10%, 10%	0603C
C300	2320805	Top	B	6	CHIPCAP X5R 100N K	100n	10V	normal,-10%, 10%	0402C
C301	2320805	Top	C	6	CHIPCAP X5R 100N K	100n	10V	normal,-10%, 10%	0402C
C302	2320556	Btm	O	8	Chipcap 5% NPO	68p	50V	normal,-5%,5%	0402C
C303	2320481	Btm	O	8	CHIPCAP X5R 1U K	1u0	6.3V	normal,-10%, 10%	0603C
C304	2320125	Btm	M	8	CHIPCAP X5R 1U K	1u0	16V	normal,-10%, 10%	0603C
C305	2320125	Btm	M	8	CHIPCAP X5R 1U K	1u0	16V	normal,-10%, 10%	0603C
C306	2320778	Btm	Q	5	Chipcap X7R 10%	10n	16V	normal,-10%, 10%	0402C

Item	Product Code	Location			Description and value				Type
		Side, Grid ref.							
C309	2320481	Top	S	3	CHIPCAP X5R 1U K	1u0	6.3V	normal,-10%, 10%	0603C
C310	2320544	Btm	B	5	Chipcap 5% NPO	22p	50V	normal,-5%,5%	0402C
C312	2320544	Btm	F	2	Chipcap 5% NPO	22p	50V	normal,-5%,5%	0402C
C313	2320544	Top	B	4	Chipcap 5% NPO	22p	50V	normal,-5%,5%	0402C
C330	2320584	Top	L	6	Chipcap 5% X7R	1n0	50V	normal,-5%,5%	0402C
C331	2320584	Top	L	6	Chipcap 5% X7R	1n0	50V	normal,-5%,5%	0402C
C332	2320584	Top	L	6	Chipcap 5% X7R	1n0	50V	normal,-5%,5%	0402C
C333	2320584	Top	L	6	Chipcap 5% X7R	1n0	50V	normal,-5%,5%	0402C
C343	2320805	Btm	P	5	CHIPCAP X5R 100N K	100n	10V	normal,-10%, 10%	0402C
C344	2320805	Btm	N	5	CHIPCAP X5R 100N K	100n	10V	normal,-10%, 10%	0402C
C350	2312243	Btm	J	8	CHIPCAP X5R 4U7 K	4u7	6V3	normal,-10%, 10%	0805C
C352	2320805	Btm	H	8	CHIPCAP X5R 100N K	100n	10V	normal,-10%,1 0%	0402C
C353	2320805	Btm	H	8	CHIPCAP X5R 100N K	100n	10V	normal,-10%, 10%	0402C
C390	2320805	Btm	R	8	CHIPCAP X5R 100N K	100n	10V	normal,-10%, 10%	0402C
C400	2320778	Btm	M	5	Chipcap X7R 10%	10n	16V	normal,-10%, 10%	0402C
C401	2320805	Btm	M	5	CHIPCAP X5R 100N K	100n	10V	normal,-10%, 10%	0402C
C402	2320778	Btm	L	5	Chipcap X7R 10%	10n	16V	normal,-10%, 10%	0402C
C403	2320778	Btm	N	5	Chipcap X7R 10%	10n	16V	normal,-10%, 10%	0402C
C404	2320778	Btm	N	5	Chipcap X7R 10%	10n	16V	normal,-10%, 10%	0402C
C405	2320778	Btm	M	5	Chipcap X7R 10%	10n	16V	normal,-10%, 10%	0402C
C420	2320560	Btm	L	5	Chipcap 5% NPO	100p	50V	normal,-5%,5%	0402C
C426	2320744	Btm	K	5	Chipcap X7R 10%	1n0	50V	normal,-10%, 10%	0402C
C450	2320778	Btm	Q	5	Chipcap X7R 10%	10n	16V	normal,-10%, 10%	0402C
C451	2320805	Btm	Q	5	CHIPCAP X5R 100N K	100n	10V	normal,-10%, 10%	0402C
C454	2320779	Btm	Q	5	CHIPCAP X7R 100N K	100n	16V	normal,-10%, 10%	0603_BLM
C601	2320629	Btm	C	4	CHIPCAP NPO 1P0 B	1p0	50V	normal,-0.1p,0.1p	0402C
C602	2320629	Btm	C	3	CHIPCAP NPO 1P0 B	1p0	50V	normal,-0.1p,0.1p	0402C
C603	2320744	Btm	H	3	Chipcap X7R 10%	1n0	50V	normal,-10%, 10%	0402C
C605	2320805	Btm	I	3	CHIPCAP X5R 100N K	100n	10V	normal,-10%, 10%	0402C
C606	2320546	Btm	H	3	Chipcap 5% NPO	27p	50V	normal,-5%,5%	0402C
C607	2312211	Btm	G	2	CHIPCAP X5R 3U3 K	3u3	6V3	normal,-10%, 10%	0805C_H1.35
C610	2320805	Btm	L	4	CHIPCAP X5R 100N K	100n	10V	normal,-10%, 10%	0402C
C615	2320778	Btm	G	3	Chipcap X7R 10%	10n	16V	normal,-10%, 10%	0402C
C620	2320546	Btm	G	3	Chipcap 5% NPO	27p	50V	normal,-5%,5%	0402C
C621	2320552	Btm	I	2	Chipcap 5% NPO	47p	50V	normal,-5%,5%	0402C
C622	2320805	Btm	I	3	CHIPCAP X5R 100N K	100n	10V	normal,-10%, 10%	0402C
C623	2320805	Btm	I	4	CHIPCAP X5R 100N K	100n	10V	normal,-10%, 10%	0402C

Item	Product Code	Location			Description and value				Type
		Side, Grid ref.							
C624	2320546	Btm	H	5	Chipcap 5% NPO	27p	50V	normal,-5%,5%	0402C
C625	2320481	Btm	J	4	CHIPCAP X5R 1U K	1u0	6.3V	normal,-10%, 10%	0603C
C626	2320522	Btm	G	5	Chipcap +-0.25pF NPO	2p7	50V	normal,-0.25pF,0.25pF	0402C
C627	2313213	Btm	J	2	CHIPCAP X5R 10U K	10u	6.3V	normal,-10%, 10%	1206C_H1.8
C628	2320778	Btm	I	3	Chipcap X7R 10%	10n	16V	normal,-10%, 10%	0402C
C629	2320546	Btm	I	4	Chipcap 5% NPO	27p	50V	normal,-5%,5%	0402C
C630	2320629	Btm	G	4	CHIPCAP NPO 1P0 B	1p0	50V	normal,-0.1p,0.1p	0402C
C631	2320629	Btm	G	5	CHIPCAP NPO 1P0 B	1p0	50V	normal,-0.1p,0.1p	0402C
C632	2320805	Btm	H	3	CHIPCAP X5R 100N K	100n	10V	normal,-10%, 10%	0402C
C633	2320546	Btm	I	4	Chipcap 5% NPO	27p	50V	normal,-5%,5%	0402C
C634	2320522	Btm	G	3	Chipcap +-0.25pF NPO	2p7	50V	normal,-0.25pF, 0.25pF	0402C
C635	2320546	Btm	I	4	Chipcap 5% NPO	27p	50V	normal,-5%,5%	0402C
C636	2320778	Btm	I	3	Chipcap X7R 10%	10n	16V	normal,-10%, 10%	0402C
C637	2320778	Btm	I	4	Chipcap X7R 10%	10n	16V	normal,-10%, 10%	0402C
C701	2320532	Btm	D	3	Chipcap +-0.25pF NPO	6p8	50V	normal,-0.25pF,0.25pF	0402C
C702	2320532	Btm	E	4	Chipcap +-0.25pF NPO	6p8	50V	normal,-0.25pF,0.25pF	0402C
C703	2320546	Btm	D	4	Chipcap 5% NPO	27p	50V	normal,-5%,5%	0402C
C705	2322023	Btm	I	5	CHIPCAP NPO 2N2 J	2n2	16V	normal,-5%,5%	0603C
C706	2320556	Btm	I	5	Chipcap 5% NPO	68p	50V	normal,-5%,5%	0402C
C709	2320631	Btm	I	5	CHIPCAP NPO 180P J	180p	25V	normal,-5%,5%	0402C
C710	2320631	Btm	I	4	CHIPCAP NPO 180P J	180p	25V	normal,-5%,5%	0402C
C711	2310055	Btm	J	5	CHIPCAP NPO 3N9 J	3n9	25V	normal,-5%,5%	0805C_AVX
C712	2320631	Btm	K	2	CHIPCAP NPO 180P J	180p	25V	normal,-5%,5%	0402C
C715	2320556	Btm	I	4	Chipcap 5% NPO	68p	50V	normal,-5%,5%	0402C
C716	2320556	Btm	I	3	Chipcap 5% NPO	68p	50V	normal,-5%,5%	0402C
C717	2320546	Btm	J	5	Chipcap 5% NPO	27p	50V	normal,-5%,5%	0402C
C718	2320744	Btm	I	5	Chipcap X7R 10%	1n0	50V	normal,-10%, 10%	0402C
C721	2320744	Btm	G	5	Chipcap X7R 10%	1n0	50V	normal,-10%, 10%	0402C
C722	2320540	Btm	F	5	Chipcap 5% NPO	15p	50V	normal,-5%,5%	0402C
C723	2320540	Btm	F	5	Chipcap 5% NPO	15p	50V	normal,-5%,5%	0402C
C731	2320550	Btm	G	5	Chipcap 5% NPO	39p	50V	normal,-5%,5%	0402C
C740	2312211	Btm	K	4	CHIPCAP X5R 3U3 K	3u3	6V3	normal,-10%, 10%	0805C_H1.35
C741	2320621	Btm	K	2	CHIPCAP NPO 0P5 C	0p5	50V	normal,-0.25p,0.25p	0402C

Item	Product Code	Location			Description and value				Type
		Side	Grid	ref.					
C801	2320602	Btm	E	5	Chipcap +-0.25pF NPO	4p7	50V	normal,-0.25pF,0.25pF	0402C
C802	2320546	Btm	D	5	Chipcap 5% NPO	27p	50V	normal,-5%,5%	0402C
C803	2320546	Btm	C	4	Chipcap 5% NPO	27p	50V	normal,-5%,5%	0402C
C804	2320546	Btm	C	4	Chipcap 5% NPO	27p	50V	normal,-5%,5%	0402C
C805	2320546	Btm	C	4	Chipcap 5% NPO	27p	50V	normal,-5%,5%	0402C
C811	2320744	Btm	C	5	Chipcap X7R 10%	1n0	50V	normal,-10%, 10%	0402C
C812	2310793	Btm	I	8	CHIPCAP X5R 2U2 K	2u2	10V	normal,-10%, 10%	0805C
C813	2320524	Btm	D	5	Chipcap +-0.25pF NPO	3p3	50V	normal,-0.25pF,0.25pF	0402C
C814	2320548	Btm	C	5	Chipcap 5% NPO	33p	50V	normal,-5%,5%	0402C
C815	2611753	Btm	I	7	CHIPTCAP 33U M 16V 6.0X3.2X1.5	33u_16V	16V	normal,-20%,20%	TANT_TPSW2
C816	2320604	Btm	I	8	Chipcap 5% NPO	18p	50V	normal,-5%,5%	0402C
C817	2320602	Btm	I	8	Chipcap +-0.25pF NPO	4p7	50V	normal,-0.25pF,0.25pF	0402C
C818	2320546	Btm	D	8	Chipcap 5% NPO	27p	50V	normal,-5%,5%	0402C
C819	2611753	Btm	B	7	CHIPTCAP 33U M 16V 6.0X3.2X1.5	33u_16V	16V	normal,-20%,20%	TANT_TPSW2
C820	2320546	Btm	D	8	Chipcap 5% NPO	27p	50V	normal,-5%,5%	0402C
C821	2320518	Btm	D	8	Chipcap +-0.25pF NPO	1p8	50V	normal,-0.25pF,0.25pF	0402C
C822	2320546	Btm	D	8	Chipcap 5% NPO	27p	50V	normal,-5%,5%	0402C
C824	2320526	Btm	E	8	Chipcap +-0.25pF NPO	3p9	50V	normal,-0.25pF,0.25pF	0402C
C825	2320805	Btm	E	5	CHIPCAP X5R 100N K	100n	10V	normal,-10%, 10%	0402C
C826	2320805	Btm	C	5	CHIPCAP X5R 100N K	100n	10V	normal,-10%, 10%	0402C
C835	2320514	Btm	F	8	Chipcap +-0.25pF NPO	1p2	50V	normal,-0.25pF,0.25pF	0402C
C836	2320524	Btm	F	7	Chipcap +-0.25pF NPO	3p3	50V	normal,-0.25pF,0.25pF	0402C
C837	2320552	Btm	F	7	Chipcap 5% NPO	47p	50V	normal,-5%,5%	0402C
C872	2320805	Btm	H	2	CHIPCAP X5R 100N K	100n	10V	normal,-10%, 10%	0402C
D200	4370825	Btm	L	7	UEMK 4.4 W-DOG ENA TO21 TFBGA168	~	~	~	uBGA168
D400	4370873	Btm	N	3	UPP8M V2.2 F751986B C035 UBGA144	~	~	~	uBGA144_CC
D450	4341409	Btm	P	3	COMBO NMP DCT4 128M NOR + 8M SRAM	8MX16/512kX16	~	~	COMBO_128MB_SI
F100	5119019	Btm	S	3	SM FUSE F 1.5A 32V 0603	1.5A	~	~	0603_FUSE

Item	Product Code	Location			Description and value				Type
		Side, Grid ref.							
G300	4700131	Top	B	3	CELL CAPACITOR 0.01MAH 3V3	3V3	~	~	XH414_I102N
G701	4350315	Btm	K	3	VCO 3420-3980MHZ 2.7V 19MA	3420- 3980MHz	~	~	VCO_FDK_IT_H1.7
L100	3203705	Btm	S	3	FERRITE BEAD 42R/ 100MHZ 0805	42R/ 100MHz	~	~	0805_FERRITE
L102	3203801	Btm	T	6	CHIP BEAD ARRAY 2X1000R 0405	2x1000R/ 100MHz	~	-	0405_2_MATSU
L103	3203801	Btm	T	7	CHIP BEAD ARRAY 2X1000R 0405	2x1000R/ 100MHz	~	-	0405_2_MATSU
L106	3203725	Btm	T	5	FERRITE BEAD 0R6 600R/ 100M	600R/ 100MHz	~	~	FERRITE_0402
L107	3203741	Btm	T	6	FERRITE BEAD 0R5 600R/ 100MHZ	600R/ 100MHz	~	~	0603_BLM
L150	3203801	Top	A	4	CHIP BEAD ARRAY 2X1000R	2x1000R/ 100MHz	~	-	0405_2_MATSU
L151	3203715	Btm	E	2	FERRITE BEAD 0R35 240R/100M	240R/ 100MHz	~	~	FERRITE_BK1005
L152	3203715	Btm	E	2	FERRITE BEAD 0R35 240R/100M	240R/ 100MHz	~	~	FERRITE_BK1005
L153	3203725	Btm	S	4	FERRITE BEAD 0R6 600R/ 100M	600R/ 100MHz	~	~	FERRITE_0402
L260	3203741	Btm	I	7	FERRITE BEAD 0R5 600R/ 100MHZ	600R/ 100MHz	~	~	0603_BLM
L261	3203741	Btm	K	5	FERRITE BEAD 0R5 600R/ 100MHZ	600R/ 100MHz	~	~	0603_BLM
L262	3203741	Btm	I	6	FERRITE BEAD 0R5 600R/ 100MHZ	600R/ 100MHz	~	~	0603_BLM
L263	3203741	Btm	I	7	FERRITE BEAD 0R5 600R/ 100MHZ	600R/ 100MHz	~	~	0603_BLM
L264	3203741	Btm	I	7	FERRITE BEAD 0R5 600R/ 100MHZ	600R/ 100MHz	~	~	0603_BLM
L265	3203741	Btm	I	7	FERRITE BEAD 0R5 600R/ 100MHZ	600R/ 100MHz	~	~	0603_BLM
L300	3640119	Btm	N	7	CHOKE 22U M 1R4 0.33A 3.3X3.3X1.5	22uH	~	normal,-20%,20%	CHOKE_984FB
L301	3646079	Top	T	5	CHIP COIL 47N J Q23/ 800M	47nH	~	normal,-5%,5%	0402L
L302	3646079	Top	T	5	CHIP COIL 47N J Q23/ 800M	47nH	~	normal,-5%,5%	0402L
L303	3646079	Top	T	5	CHIP COIL 47N J Q23/ 800M	47nH	~	normal,-5%,5%	0402L
L304	3646079	Top	T	5	CHIP COIL 47N J Q23/ 800M	47nH	~	normal,-5%,5%	0402L

Item	Product Code	Location			Description and value				Type
		Side	Grid ref.						
L305	3646079	Top	S	5	CHIP COIL 47N J Q23/800M	47nH	~	normal,-5%,5%	0402L
L306	3646079	Top	T	5	CHIP COIL 47N J Q23/800M	47nH	~	normal,-5%,5%	0402L
L307	3646079	Top	S	5	CHIP COIL 47N J Q23/800M	47nH	~	normal,-5%,5%	0402L
L308	3646079	Top	U	5	CHIP COIL 47N J Q23/800M	47nH	~	normal,-5%,5%	0402L
L309	3646079	Top	U	5	CHIP COIL 47N J Q23/800M	47nH	~	normal,-5%,5%	0402L
L320	3203723	Top	L	5	FERRITE BEAD 0R35 68R/100MHZ 0603	68R/100MHz	~	~	FERRITE_BK1608
L321	3203723	Top	K	6	FERRITE BEAD 0R35 68R/100MHZ 0603	68R/100MHz	~	~	FERRITE_BK1608
L322	3203723	Top	L	5	FERRITE BEAD 0R35 68R/100MHZ 0603	68R/100MHz	~	~	FERRITE_BK1608
L323	3203723	Top	L	6	FERRITE BEAD 0R35 68R/100MHZ 0603	68R/100MHz	~	~	FERRITE_BK1608
L601	3646087	Btm	G	4	CHIP COIL 1N8+-0N3 Q31/800M	1n8H	~	normal,-0n3,0n3	0402L
L602	3646087	Btm	G	4	CHIP COIL 1N8+-0N3 Q31/800M	1n8H	~	normal,-0n3,0n3	0402L
L603	3646005	Btm	G	5	CHIP COIL 2N7+-0N3 Q29/800M	2n7H	~	normal,-0n3,0n3	0402L
L604	3646005	Btm	G	4	CHIP COIL 2N7+-0N3 Q29/800M	2n7H	~	normal,-0n3,0n3	0402L
L606	3646055	Btm	G	4	CHIP COIL 8N2 J Q28/800MHZ	8n2H	~	normal,-5%,+5%	0402L
L607	3646055	Btm	G	3	CHIP COIL 8N2 J Q28/800MHZ 0402	8n2H	~	normal,-5%,+5%	0402L
L608	3646051	Btm	C	3	CHIP COIL 3N9 +-0N3 Q28/800M	3n9H	~	normal,-0n3,+0n3	0402L
L705	3646131	Btm	G	5	CHIP COIL 3N9 +-0N1 Q28/1GHZ	3n9H	~	normal,-0n1,+0n1	0402L_W065_POL
L706	3646061	Btm	H	5	CHIP COIL 15N J Q30/800M	15nH	~	normal,-5%,5%	0402L
L707	3646061	Btm	H	5	CHIP COIL 15N J Q30/800M	15nH	~	normal,-5%,5%	0402L
L708	3646061	Btm	H	5	CHIP COIL 15N J Q30/800M	15nH	~	normal,-5%,5%	0402L
L711	3646069	Btm	I	5	CHIP COIL 33N J Q23/800M	33nH	~	normal,-5%,5%	0402L
L712	3646117	Btm	F	5	CHIP COIL 5N6 +-0N1 Q26/1GHZ	5n6H	~	normal,-0n1,+0n1	0402L_H0.45

Item	Product Code	Location			Description and value				Type
		Side	Grid ref.						
L713	3646005	Btm	H	5	CHIP COIL 2N7+-0N3 Q29/800M	2n7H	~	normal,-0n3,0n3	0402L
L714	3646005	Btm	H	5	CHIP COIL 2N7+-0N3 Q29/800M	2n7H	~	normal,-0n3,0n3	0402L
L730	3646051	Btm	K	4	CHIP COIL 3N9 +-0N3 Q28/800M	3n9H	~	normal,-0n3,+0n3	0402L
L801	4551015	Btm	D	5	DIR.COUP 897.5/1747.5/ 1880MHZ	897.5/ 1747.5/ 1880M	~	~	COUPLER_LDC15D
L804	3203705	Btm	H	8	FERRITE BEAD 42R/ 100MHZ	42R/ 100MHz	~	~	0805_FERRITE
L805	3203705	Btm	I	8	FERRITE BEAD 42R/ 100MHZ	42R/ 100MHz	~	~	0805_FERRITE
L806	3646009	Btm	D	8	CHIP COIL 10N J Q30/ 800M	10nH	~	normal,-5%,5%	0402L
L807	3646059	Btm	E	8	CHIP COIL 5N6 +-0N3 Q28/800M	5n6H	~	normal,-0n3,+0n3	0402L
N100	4341063	Top	T	4	REG 2.8V/150MA LP3985 SOT23-5	~	2.8V	~	SOT23_5_H1.2
N150	4341221	Btm	O	6	AF AMP 0.4W/2.6V LM4890 USMD9	~	~	~	USMD9_AAB
N300	4341309	Btm	N	8	DC/DC CONV 350MA TK11851 SSOP8	~	~	~	SOT23L_8
N301	4341087	Top	S	3	HALL IC SWITCH TLE4917 TSSOP6	~	~	~	TSOP_6_H1.1
N306	434A004	Btm	O	5	TOUCH SCREEN CONT TSC2046 BGA48	~	~	~	PBGA_N48
N350	486B000	Btm	G	9	IRDA RPM960-H7 1.152MB/S >2.4V	~	~	~	IRDA_RPM870_H7
N601	4370867	Btm	H	4	MJOELNER RF ASIC S2006 LFBGA80	~	~	~	LFBGA_80
N801	4350369	Btm	D	6	PW AMP QCPM-8893 900/1800/1900MHZ	~	~	~	PW_AMP_PA_HDG13
R100	1620027	Btm	R	6	RES NETWORK 0W06 2X47R J	2x47R	~	normal,-5%,5%	0404_R_SR
R101	1620027	Btm	R	6	RES NETWORK 0W06 2X47R J	2x47R	~	normal,-5%,5%	0404_R_SR
R102	1620027	Btm	R	7	RES NETWORK 0W06 2X47R J	2x47R	~	normal,-5%,5%	0404_R_SR
R103	4120011	Btm	T	6	ZDIX4 IP4043CX5 CA 14V2 10W CSP5	~	~	~	uBGA5
R104	1430812	Btm	R	7	Resistor 5% 63mW	220k	~	normal,-5%,5%	0402R
R105	4120011	Btm	T	7	ZDIX4 IP4043CX5 CA 14V2 10W CSP5	~	~	~	uBGA5

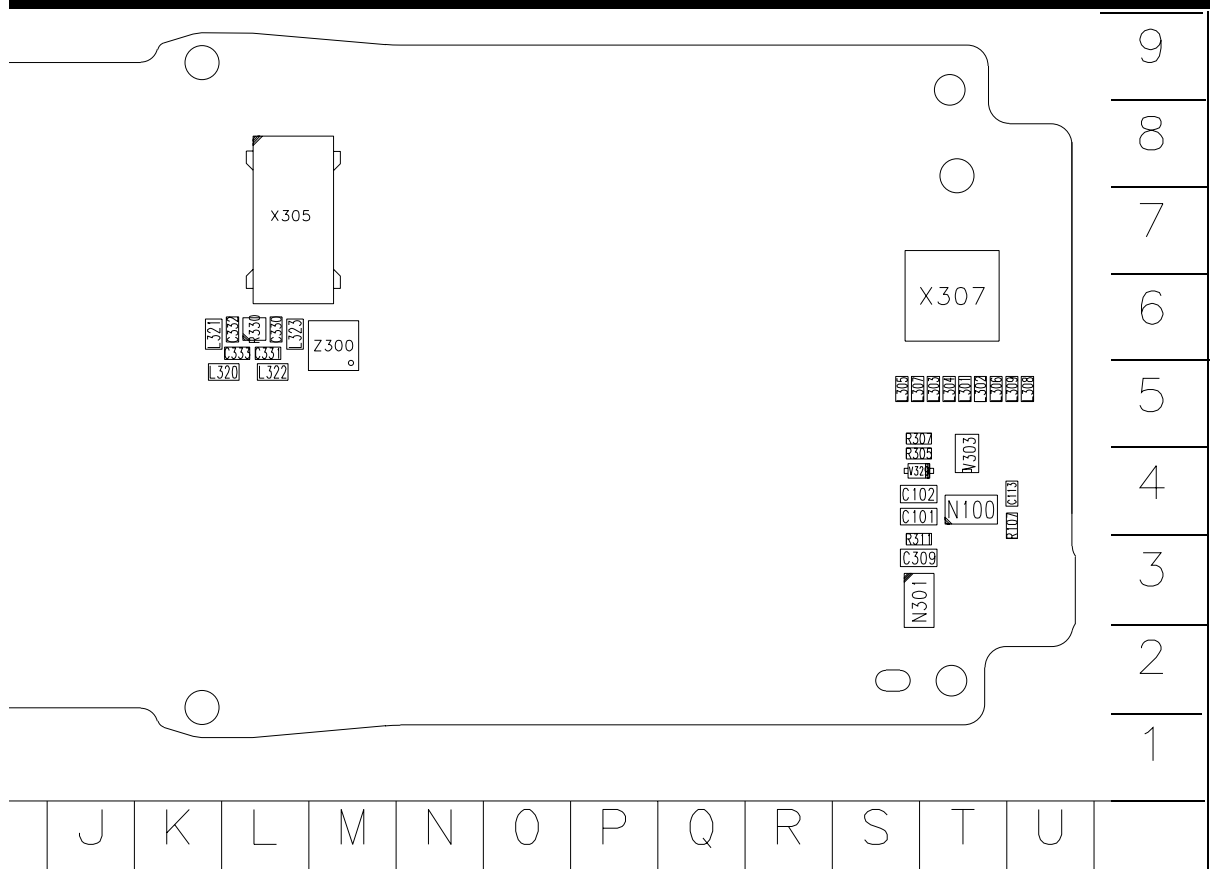
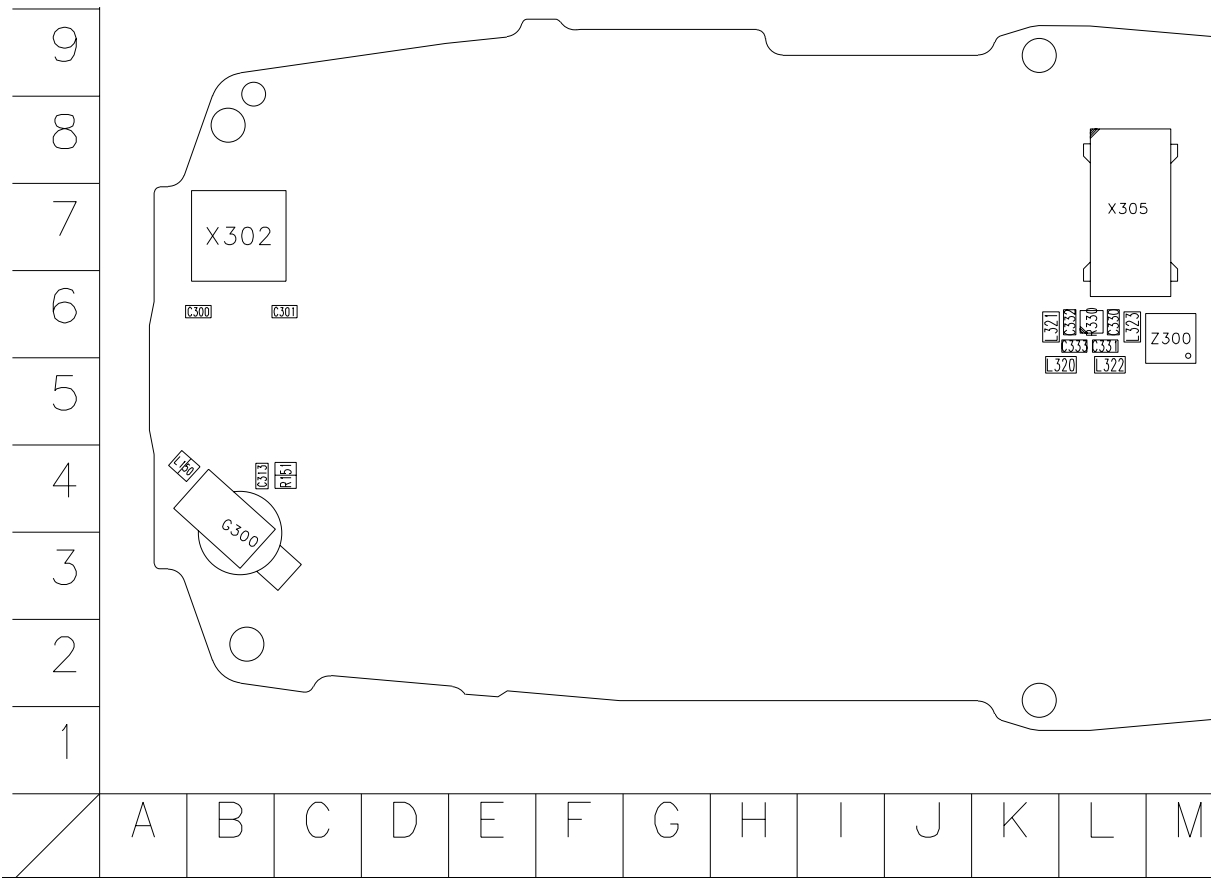
Item	Product Code	Location			Description and value				Type
		Side	Grid	ref.					
R106	1820039	Btm	O	8	NTC RES 47K J B=4050+-3%	47k	~	normal,-5%,5%	0402_NTH5
R107	1430804	Top	U	4	Resistor 5% 63mW	100k	~	normal,-5%,5%	0402R
R109	1430804	Btm	R	7	Resistor 5% 63mW	100k	~	normal,-5%,5%	0402R
R151	1825031	Top	C	4	VARISTOR ARRAY 2XVWM16V VC50 0405	2XVWM16V	~	~	0405_2
R153	1620105	Btm	N	6	RES NETWORK 0W06 2X2k2 J 0404	2x2k2	~	~	MNR02
R155	1825133	Btm	S	4	CHIP VARISTOR VWM14V VC50V	14V/50V	~	-	0402_VAR
R156	1430760	Btm	O	6	Resistor 5% 63mW	1k8	~	normal,-5%,5%	0402R
R158	1430752	Btm	O	8	Resistor 5% 63mW	820R	~	normal,-5%,5%	0402R
R159	1430754	Btm	N	6	Resistor 5% 63mW	1k0	~	normal,-5%,5%	0402R
R160	1430734	Btm	O	6	Resistor 5% 63mW	220R	~	normal,-5%,5%	0402R
R162	1620105	Btm	N	7	RES NETWORK 0W06 2X2k2 J 0404	2x2k2	~	~	MNR02
R163	1430786	Btm	N	6	Resistor 5% 63mW	18k	~	normal,-5%,5%	0402R
R164	1430762	Btm	N	6	Resistor 5% 63mW	2k2	~	normal,-5%,5%	0402R
R165	1430762	Btm	N	6	Resistor 5% 63mW	2k2	~	normal,-5%,5%	0402R
R166	1430786	Btm	O	6	Resistor 5% 63mW	18k	~	normal,-5%,5%	0402R
R167	1430917	Btm	N	5	CHIPRES 0W06 3K3 F	3k3	~	normal,-1%,1%	0402R
R168	1430804	Btm	O	6	Resistor 5% 63mW	100k	~	normal,-5%,5%	0402R
R171	1430754	Btm	O	7	Resistor 5% 63mW	1k0	~	normal,-5%,5%	0402R
R173	1430734	Btm	O	8	Resistor 5% 63mW	220R	~	normal,-5%,5%	0402R
R200	1414605	Btm	K	5	CHIPRES 0W25 0R22 J	0R22	~	normal,-5%,5%	0805R_THERM1
R202	1620043	Btm	L	8	RES NETWORK 0W03 4X100K J 0804	4x100k	~	~	EXB28V
R206	1430770	Btm	L	9	Resistor 5% 63mW	4k7	~	normal,-5%,5%	0402R
R207	1430770	Btm	M	5	Resistor 5% 63mW	4k7	~	normal,-5%,5%	0402R
R300	1430712	Btm	N	8	Resistor 5% 63mW	27R	~	normal,-5%,5%	0402R
R305	1430744	Top	S	4	Resistor 5% 63mW	470R	~	normal,-5%,5%	0402R
R306	1430790	Btm	B	5	Resistor 5% 63mW	27k	~	normal,-5%,5%	0402R
R307	1430695	Top	S	5	CHIPRES 0W06 6R8 J	6R8	~	normal,-5%,5%	0402R
R311	1430726	Top	S	4	Resistor 5% 63mW	100R	~	normal,-5%,5%	0402R
R330	4120011	Top	L	6	ZDIX4 IP4043CX5 CA 14V2 10W CSP5	~	~	~	uBGA5
R331	1430734	Btm	J	8	Resistor 5% 63mW	220R	~	normal,-5%,5%	0402R
R332	1430734	Btm	K	8	Resistor 5% 63mW	220R	~	normal,-5%,5%	0402R
R333	1430734	Btm	H	8	Resistor 5% 63mW	220R	~	normal,-5%,5%	0402R

Item	Product Code	Location			Description and value				Type
		Side, Grid ref.							
R350	1419009	Btm	J	8	CHIPRES 0W5 4R7 J	4R7	~	normal,-5%,5%	1210_R
R388	4120071	Btm	O	8	ASIP EMIF03-SIM01 SIM FILTER BGA8	~	~	~	uBGA8
R420	1430726	Btm	L	5	Resistor 5% 63mW	100R	~	normal,-5%,5%	0402R
R422	1430790	Btm	J	8	Resistor 5% 63mW	27k	~	normal,-5%,5%	0402R
R426	1430754	Btm	K	5	Resistor 5% 63mW	1k0	~	normal,-5%,5%	0402R
R450	1430770	Btm	P	5	Resistor 5% 63mW	4k7	~	normal,-5%,5%	0402R
R610	1430710	Btm	H	2	Resistor 5% 63mW	22R	~	normal,-5%,5%	0402R
R612	1430754	Btm	H	3	Resistor 5% 63mW	1k0	~	normal,-5%,5%	0402R
R617	1430718	Btm	I	3	Resistor 5% 63mW	47R	~	normal,-5%,5%	0402R
R623	1430726	Btm	I	4	Resistor 5% 63mW	100R	~	normal,-5%,5%	0402R
R625	1430718	Btm	I	4	Resistor 5% 63mW	47R	~	normal,-5%,5%	0402R
R626	1430846	Btm	H	3	Resistor 1% 63mW	2k7	~	normal,-1%,1%	0402R
R628	1430693	Btm	I	5	Chipres 0W06 5R6 J	5R6	~	normal,-5%,5%	0402R
R629	1430693	Btm	I	4	Chipres 0W06 5R6 J	5R6	~	normal,-5%,5%	0402R
R630	1430718	Btm	I	3	Resistor 5% 63mW	47R	~	normal,-5%,5%	0402R
R706	1430792	Btm	I	5	Resistor 5% 63mW	33k	~	normal,-5%,5%	0402R
R707	1430778	Btm	I	5	Resistor 5% 63mW	10k	~	normal,-5%,5%	0402R
R708	1430770	Btm	I	5	Resistor 5% 63mW	4k7	~	normal,-5%,5%	0402R
R710	1430865	Btm	J	4	CHIPRES 0W06 5K6 F 0402	5k6	~	normal,-1%,1%	0402R
R711	1430776	Btm	L	2	Resistor 5% 63mW	8k2	~	normal,-5%,5%	0402R
R713	1620065	Btm	J	4	RES NETWORK 0W06 4X5K6 J 0804	4x5.6k	~	normal,-5%,5%	MNR04
R717	1620105	Btm	J	5	RES NETWORK 0W06 2X2K2 J 0404	2x2k2	~	normal,-5%,5%	MNR02_SR
R720	1430730	Btm	G	5	Resistor 5% 63mW	150R	~	normal,-5%,5%	0402R
R721	1430730	Btm	G	5	Resistor 5% 63mW	150R	~	normal,-5%,5%	0402R
R725	1430724	Btm	H	5	Resistor 5% 63mW	82R	~	normal,-5%,5%	0402R
R726	1430724	Btm	H	5	Resistor 5% 63mW	82R	~	normal,-5%,5%	0402R
R729	1620507	Btm	E	8	RES NETWORK 0W04 3DB ATT	292R/17R6/292R	~	~	0404_RAC10
R731	1620507	Btm	K	4	RES NETWORK 0W04 3DB ATT	292R/17R6/292R	~	~	0404_RAC10
R801	1430770	Btm	D	4	Resistor 5% 63mW	4k7	~	normal,-5%,5%	0402R
R802	1430726	Btm	C	4	Resistor 5% 63mW	100R	~	normal,-5%,5%	0402R
R803	1430718	Btm	E	5	Resistor 5% 63mW	47R	~	normal,-5%,5%	0402R
R805	1620517	Btm	C	8	RES NETWORK 0W04 6DB ATT	150R/37R4/150R	~	~	0404_RAC10

Item	Product Code	Location			Description and value				Type
		Side, Grid ref.							
R817	1430754	Btm	C	8	Resistor 5% 63mW	1k0	~	normal,-5%,5%	0402R
R818	1430726	Btm	D	8	Resistor 5% 63mW	100R	~	normal,-5%,5%	0402R
R819	1620507	Btm	E	8	RES NETWORK 0W04 3DB ATT	292R/17R6/292R	~	~	0404_RAC10
R820	1430754	Btm	D	8	Resistor 5% 63mW	1k0	~	normal,-5%,5%	0402R
R821	1430726	Btm	E	8	Resistor 5% 63mW	100R	~	normal,-5%,5%	0402R
R822	1430766	Btm	D	9	Resistor 5% 63mW	3k9	~	normal,-5%,5%	0402R
R823	1430732	Btm	E	9	Resistor 5% 63mW	180R	~	normal,-5%,5%	0402R
S300	5200025	Btm	D	2	SM TACT SW SIDE TRAVEL 0.2MM	~	~	~	SWITCH_SKRE
S301	5200025	Btm	F	2	SM TACT SW SIDE TRAVEL 0.2MM	~	~	~	SWITCH_SKRE
S302	5200025	Btm	B	5	SM TACT SW SIDE TRAVEL 0.2MM	~	~	~	SWITCH_SKRE
T701	4550191	Btm	F	5	TRANSF BALUN 1800+-100MHZ 2X1.25	~	~	~	TRANS_LDB213
T702	4550179	Btm	I	5	BALUN TRANS 3.7GHZ+/-300MHZ 0805	~	~	~	TRANS_LDB15
V100	4113721	Btm	S	3	TVS DI 1PMT16AT3 16V 175W PWRMITE	~	~	~	CASE_457
V300	4110475	Btm	N	8	SCH DI RB521S-30 200MA 35V SOD523	~	~	~	EMD2
V303	4219937	Top	T	4	TRX2 UMT1/PUMT1 P40V100MA SOT363	~	~	~	SOT_363
V329	4110475	Top	S	4	SCH DI RB521S-30 200MA 35V SOD523	~	~	~	EMD2
V801	4115821	Btm	C	4	SCHDIX2 HSMS282C 15V <1PF SOT323	~	~	~	SOT323_H1.1
V802	4210171	Btm	D	8	TR NE68119 ***RESERVED HDB12***	~	~	~	SC75
X101	5460061	Btm	U	6	SM SYSTEM CONNECTOR 14POL	~	~	~	SYSCON_MQ202_NK14R3
X103	5409253	Btm	G	7	SM BATTERY CONN 3POL SPR 12V 2A	~	~	~	LYNX_BATT_CONN
X302	5469175	Top	B	7	SM CONN BTB 2X5 F P0.5	~	~	~	CON_DF23C_10DS
X305	546C009	Top	L	7	SM CONN 2X12F P0.4 30V 0.3A PCB/PCB	~	~	~	JST_R_JAVK_G_1_R3
X307	5469175	Top	T	6	SM CONN BTB 2X5 F P0.5	~	~	~	CON_DF23C_10DS
X387	5409219	Btm	Q	7	SM WIM CONNECTOR 6POL P2.54	~	~	~	SIM_91485_0001
Z300	4120031	Top	M	6	EMI/ESD FILT EMIF10-1K010F1 BGA24	~	~	~	uBGA24

Item	Product Code	Location			Description and value				Type
		Side	Grid	ref.					
Z601	4510385	Btm	D	4	DIPL+3XSW 880-960/ 1710-1990MHZ 7X5	880-960/ 1710- 1990MHz	~	~	ANT_SW_KH
Z602	4511313	Btm	F	5	SAW FILT 1842.5+- 37.5MHZ 2.5X2.0	1842.5MHz	~	~	FILTER_SAW_SAFSD
Z603	4511325	Btm	F	4	SAW FILT 1960+-30MHZ/ 4DB 2.5X2.0	1960MHz	~	~	FILTER_SAW_SX_B19 5E
Z604	4511279	Btm	F	3	SAW FILT 942.5+- 17.5MHZ/3.5 2.5X2	942.5MHz	~	~	FILTER_SAW_SAFSD
Z701	4511311	Btm	H	5	SAW FILT 897.5+- 17.5MHZ/3.5 2.5X2	897.5MHz	~	~	FILTER_SAW_SAFSD

Component layout diagram Top



Component layout diagram Bottom

